



Bench Scale

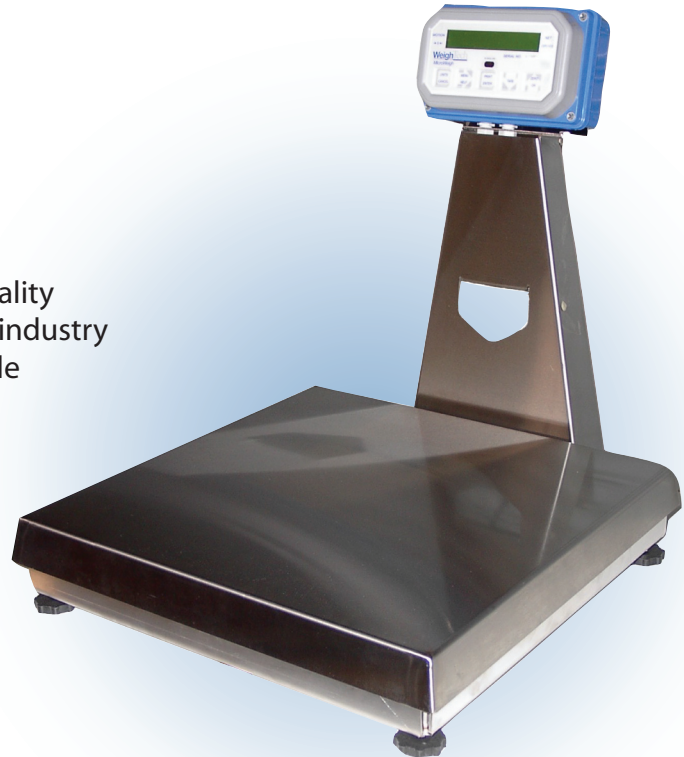
The WeighTech line of bench scales offers processors the best of both worlds: functionality and durability. Our bench scales feature our industry leading MicroWeigh indicator, and is available in many sizes to fit your processing needs.

Features:

- Displays in lb., kg., g., or oz.
- Permanently sealed electronic enclosure of high impact ABS alloy construction
- Highly visible display with adjustable contrast and backlight
- Communications available in Infrared, RS-232, RS-485, and Bluetooth
- Wireless data collection using a hand held PDA with WeighTech data sync software

Advantages:

- Ease of use - minimal training required
- NTEP certified
- Keypad durability - responds to human touch not knives or sharp objects



Product Options:

Low Boy	8" x 8"
Short Tower	10" x 10"
Tall Tower	14" x 14"
	16" x 16"
	18" x 18"
	20" x 20"
	24" x 24"

Available for 20 x 20 bases
 Stainless steel stand
 Casters
 Roller bed
 Multi directional roller bed

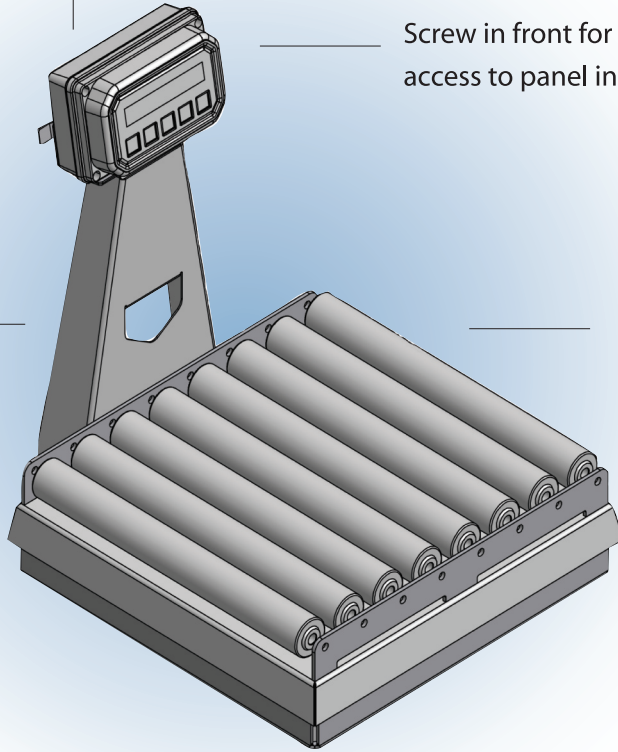
IP 69K rated indicator made up of ABS alloy for durability

Screw in front for easy access to panel interior

Open frame design for sanitation procedures

Optional roller bed

Polished stainless steel construction



Platter Size	Capacity	Resolution
14"x14"	125 lbs	.02
14"x14"	250 lbs	.05
16"x16"	125 lbs	.02
16"x16"	250 lbs	.05
18"x18"	125 lbs	.02
18"x18"	250 lbs	.05
20"x20"	125 lbs	.02

Options

- Detachable or hardwired power cord
- Stainless steel swivel bracket
- Multiple tower heights
- Custom firmware
- Battery

Custom Platter Options

